



CRANE National Vendors

SERVICE BULLETIN

12955 Enterprise Way
Bridgeton, MO 63044-1200

Technical Service (800) NAT-VEND
Parts (800) NA1-PART
Sales/Parts Fax (800) 531-2580
General Information (800) 325-8811

B4849903**Frozen Module Tray Shields****September 14, 1999**

The frozen food module assemblies have been updated with the addition of motor cover seal part # 484-4032 and tray motor cover part # 484-4035. This revision has been implemented as a means of reducing the formation of ice on the frozen module motors, resulting in motor error conditions.

This change took place with the following serial numbers:

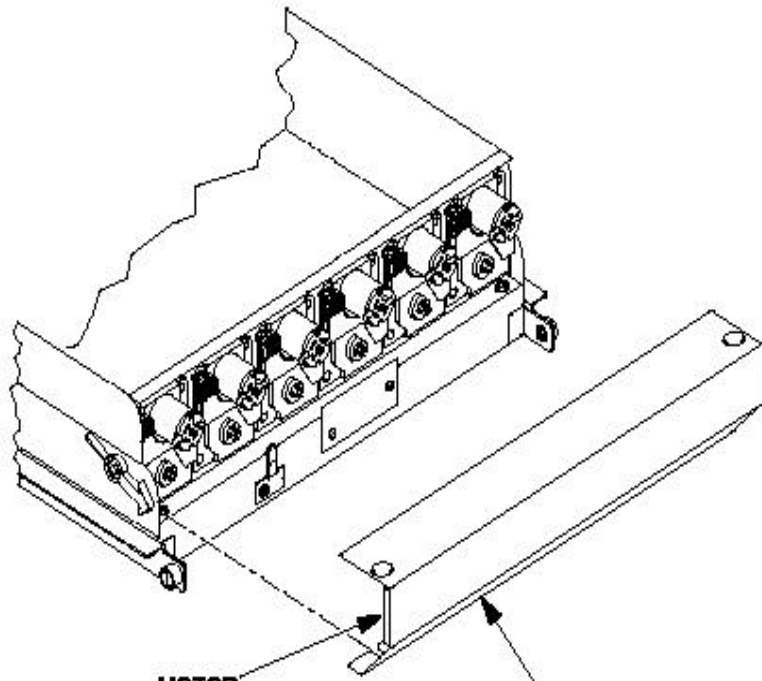
Domestic	784-010082
Foreign	489-080048

Merchandisers prior to these serial numbers can be fitted with this change by ordering kit part # 484-4041 from the National Vendors Parts Department.

This change is being implemented as part of our ongoing product improvement process and is not a required update to older machines. If the current owner of a machine chooses to update a machine with this improvement, it is solely at their discretion. Parts are available for purchase from the National Vendor Parts Department and any labor to install or modify any existing equipment is the owner's responsibility.

John Naughton
Service Department

Over For Figure



**MOTOR
SHIELD
SEAL**

Part # 484-4032

**TRAY
MOTOR
COVER**

Part # 484-4035